



## SUNDECK LATCH

Our concealed, low-profile nylon Sundeck Latch is perfect for an array of applications, including engine hatches, access panels, cabinet doors, dock boxes and folding seats. Available in three convenient sizes, its non-slip grip is ideal for a secure lift and comes with an adjustable anchoring stud.

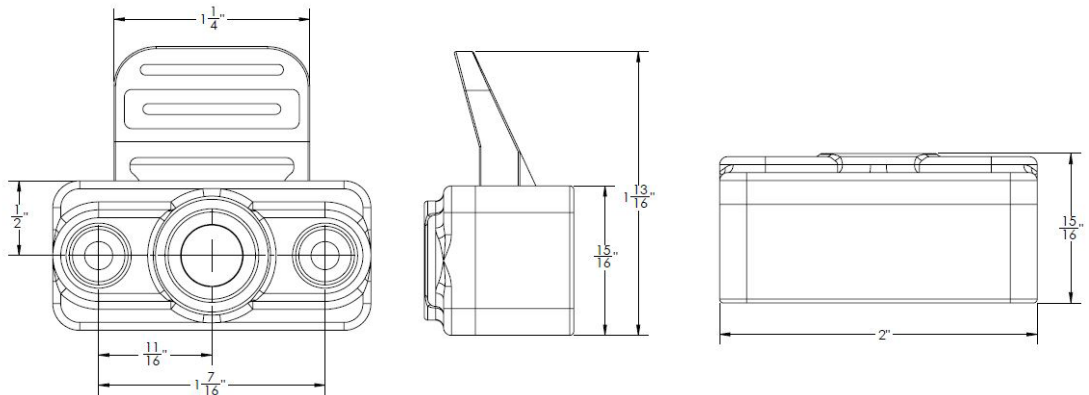
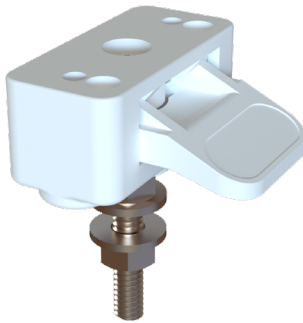
### FEATURES & BENEFITS

- ▶ High-performance latch available in black or white nylon
- ▶ Available in three different sizes for a variety of marine applications
- ▶ Rugged construction with positive locking features
- ▶ Locking pin and bolt made of stainless steel Type-316L
- ▶ Low profile, concealed latches with a non-slip grip
- ▶ Ideal for engine hatches, access panels, dock boxes, folding seats, leaning posts, large seats



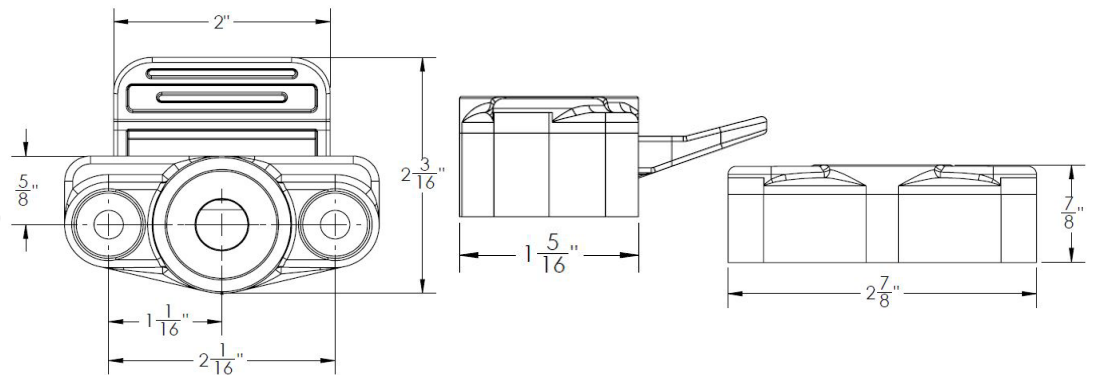
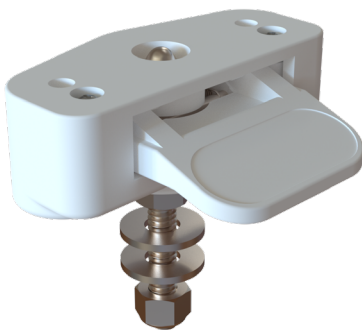
### SMALL SUNDECK LATCH

F45-0339-50



### MEDIUM SUNDECK LATCH

F45-0339-75



PART NUMBER	DESCRIPTION	LOCKING PIN LENGTH	COLOR	UNIT
F45-0339B	Sundeck Latch	2-3/4"	Black	EA
F45-0339W	Sundeck Latch	2-3/4"	White	EA
F45-0339BL	Sundeck Latch with Long Pin	3-3/4"	Black	EA
F45-0339-75B	Medium Sundeck Latch	2-1/2"	Black	EA
F45-0339B-75W	Medium Sundeck Latch	2-1/2"	White	EA
F45-0339W-50B	Small Sundeck Latch	2-1/4"	Black	EA
F45-0339B-50W	Small Sundeck Latch	2-1/4"	White	EA